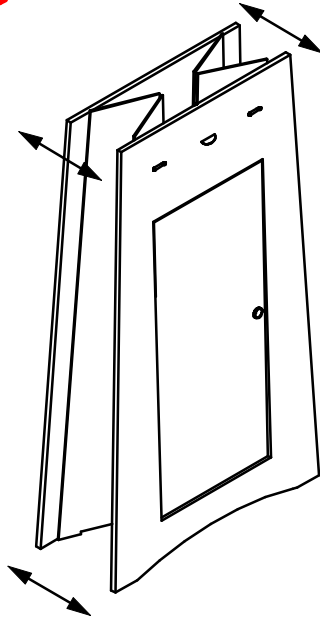
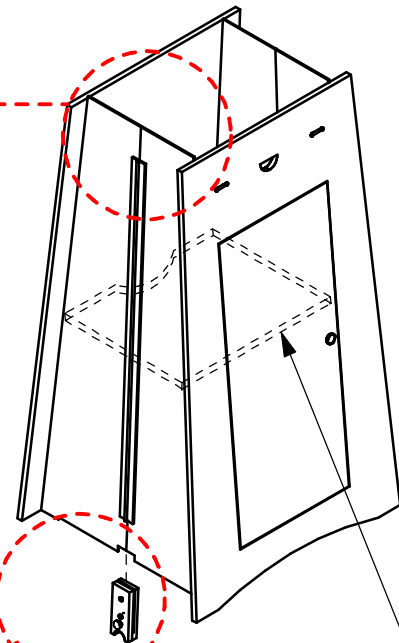




888.336.9617

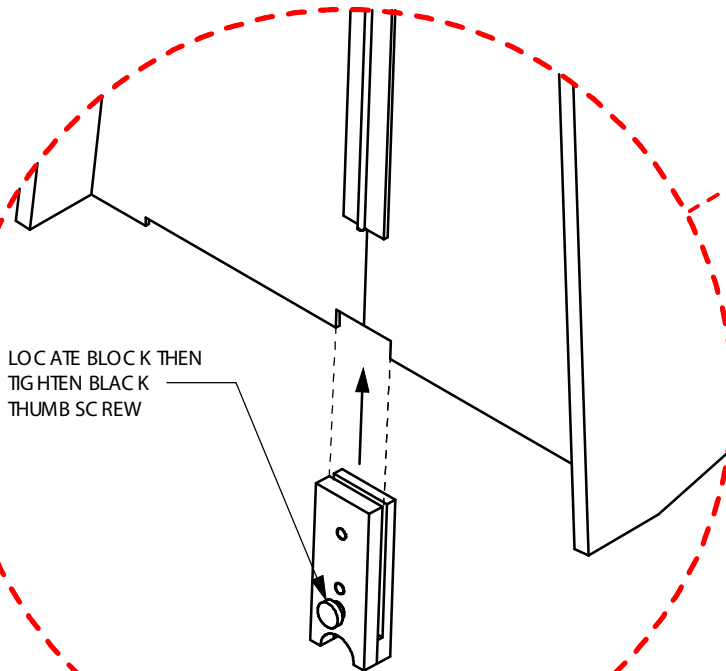


OPENING BASE UNIT



PLYWOOD INTERIOR SHELF

1. SET SHELF PINS AT DESIRED HIEG HT
2. PLAC E SHELF ON PINS



LOCATE BLOCK THEN  
TIGHTEN BLACK  
THUMB SCREW

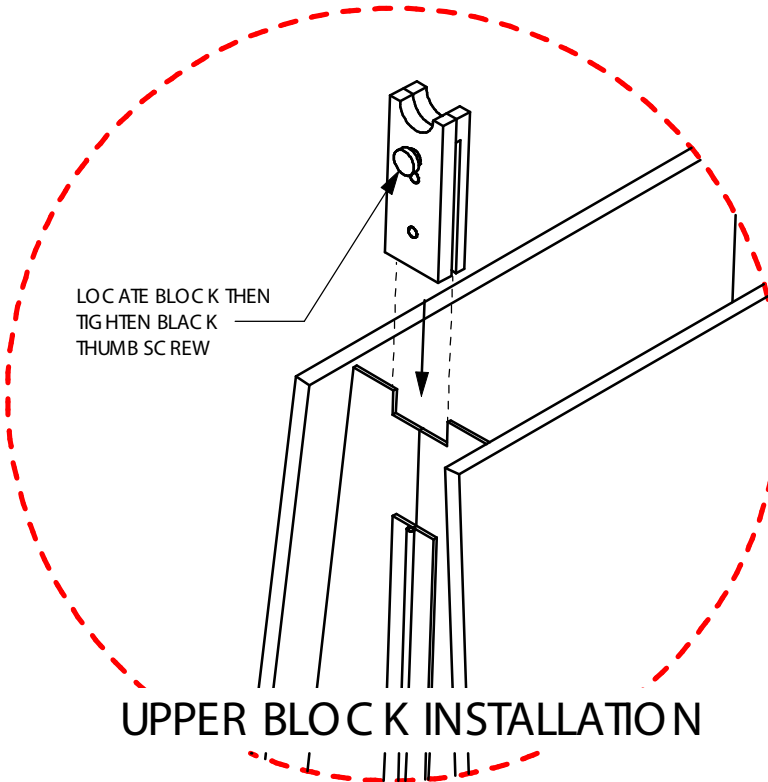
LOWER BLOCK INSTALLATION

## STEP 1

1. REMOVE BASE FROM CASE.
2. OPEN BASE
3. INSTALL LOWER BLOC KS
4. LOCATE AND PLAC E INTERIOR SHELF

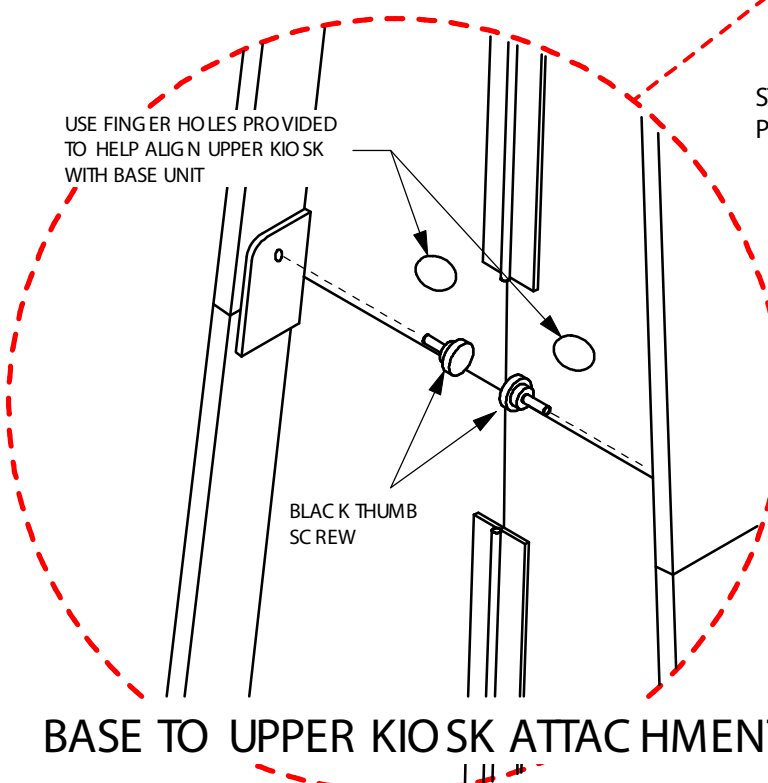


888.336.9617



LOCATE BLOCK THEN  
TIGHTEN BLACK  
THUMB SCREW

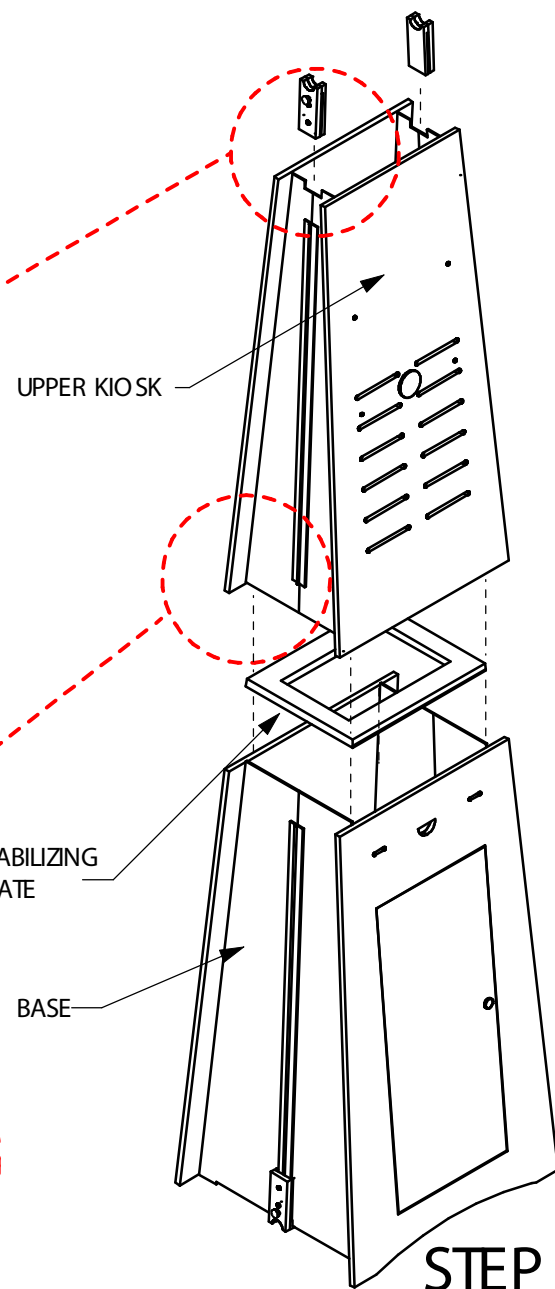
### UPPER BLOCK INSTALLATION



USE FINGER HOLES PROVIDED  
TO HELP ALIGN UPPER KIOSK  
WITH BASE UNIT

BLACK THUMB  
SCREW

### BASE TO UPPER KIOSK ATTACHMENT



UPPER KIOSK

STABILIZING  
PLATE

BASE

### STEP 2

1. REMOVE UPPER KIOSK FROM CASE.
2. OPEN UPPER KIOSK
3. INSTALL STABILIZING PLATE
4. SET UPPER KIOSK ONTO BASE
5. ATTACH UPPER KIOSK TO BASE WITH 4 BLACK THUMBSCREWS



888.336.9617

MULTI PIECE FIBERGLASS ROD WITH BUNGEE CORD INTO RADIUS EDGE OF FABRIC GRAPHIC

LARGE FABRIC OVAL GRAPHIC

SMALL FABRIC OVAL GRAPHIC

TWO SMALL FIBERGLASS RODS INTO STRAIGHT EDGE OF FABRIC GRAPHIC

THIS HOLE USED FOR LARGE OVAL SECTION

THIS HOLE USED FOR SMALL OVAL SECTION

WRAP FABRIC LOOP AROUND KNOB

INSERT ROD INTO HOLE

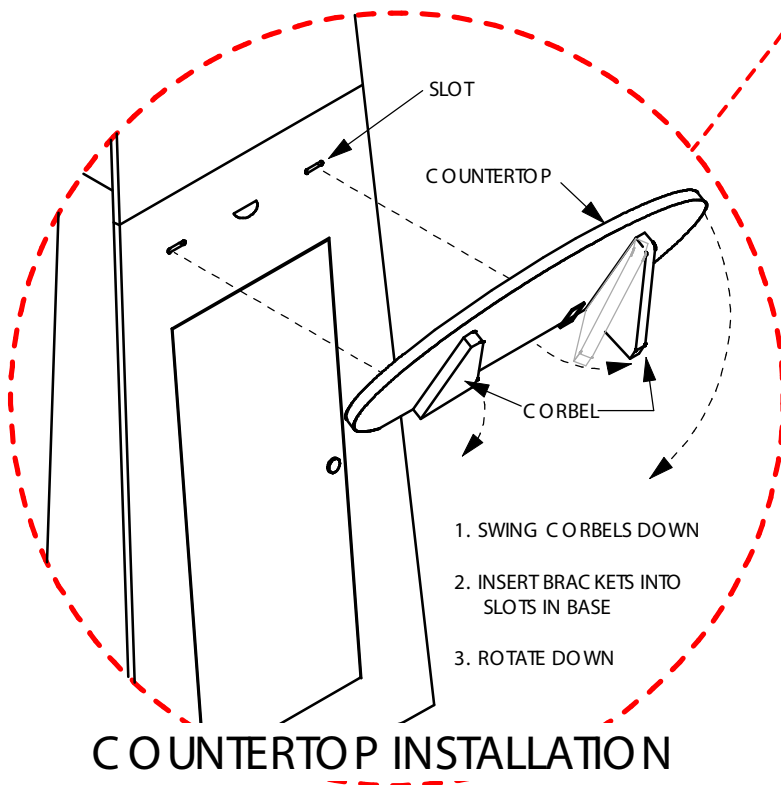
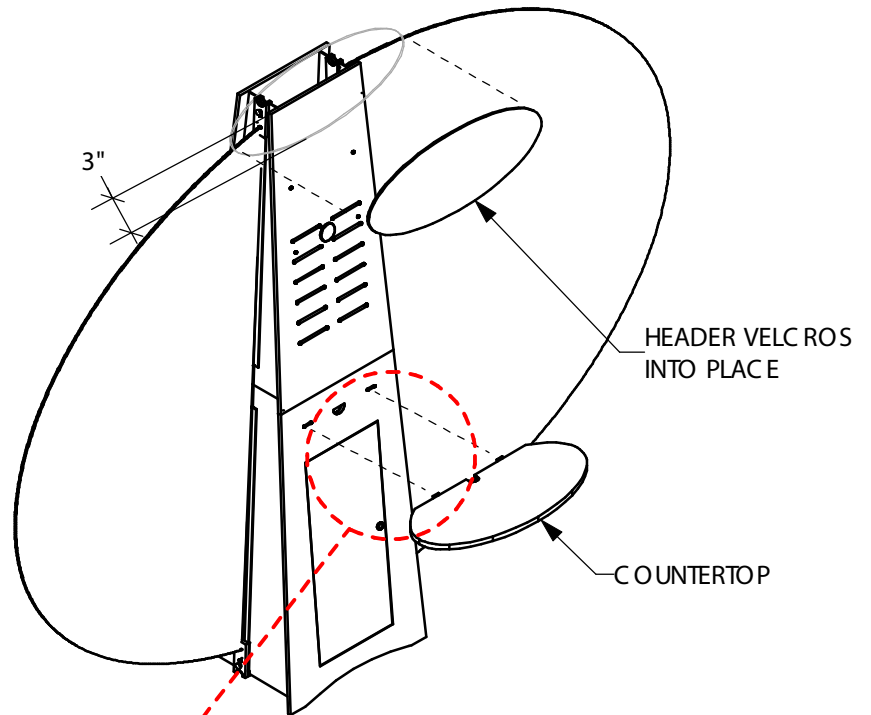
## GRAPHIC OVAL INSTALLATION

### STEP 3

1. REMOVE SMALL FABRIC GRAPHIC OVAL FROM CASE.
2. INSERT FIBERGLASS ROD INTO RADIUS EDGE OF FABRIC GRAPHIC
3. INSERT FIBERGLASS RODS INTO STRAIGHT EDGE
4. INSERT ENDS OF RODS INTO UPPER AND LOWER BLOCKS.
5. REPEAT STEPS 1 THRU 4 WITH LARGE FABRIC GRAPHIC OVAL



888.336.9617



## STEP 4

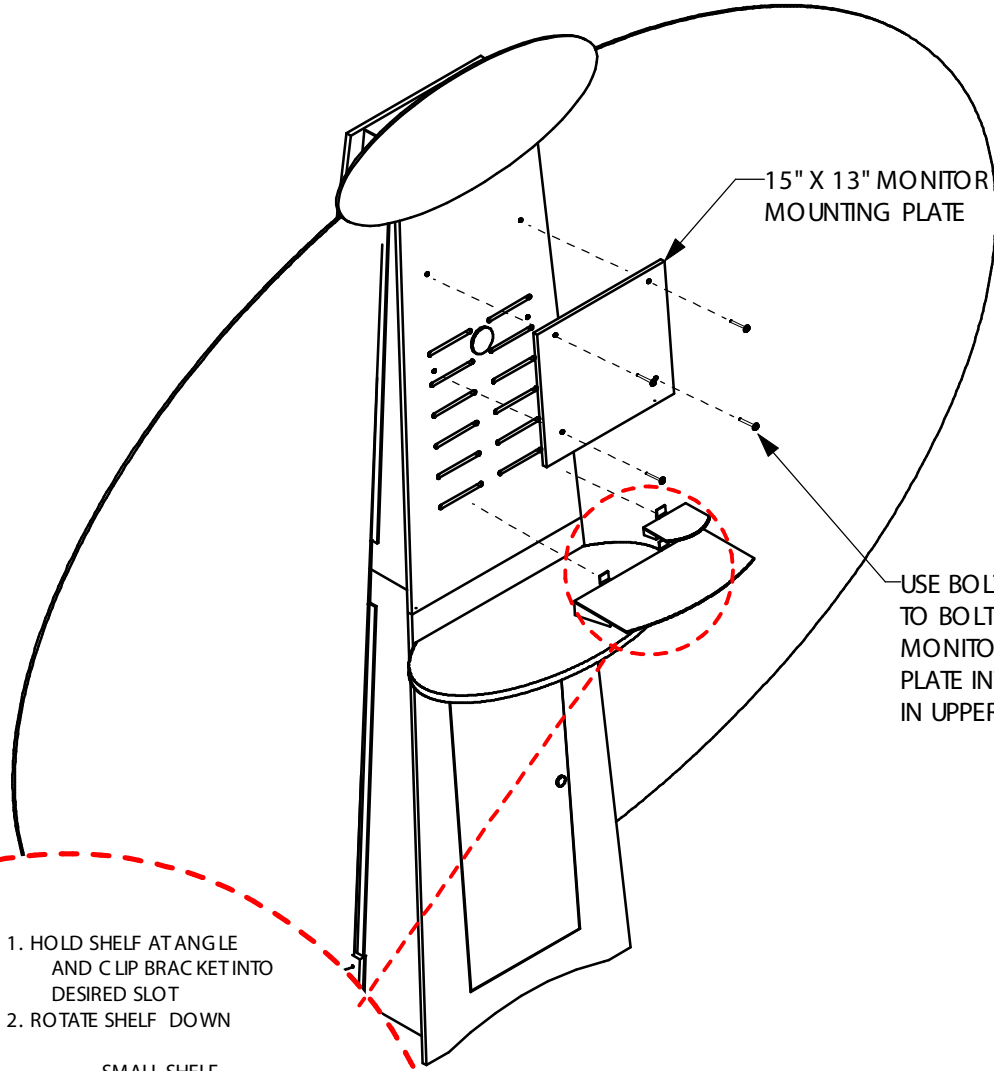
1. REMOVE COUNTERTOP FROM CASE.
2. SWING CORBELS DOWN
3. INSERT BRACKETS ON COUNTERTOP INTO SLOTS IN BASE
4. VELCRO ON HEADER

## COUNTERTOP INSTALLATION



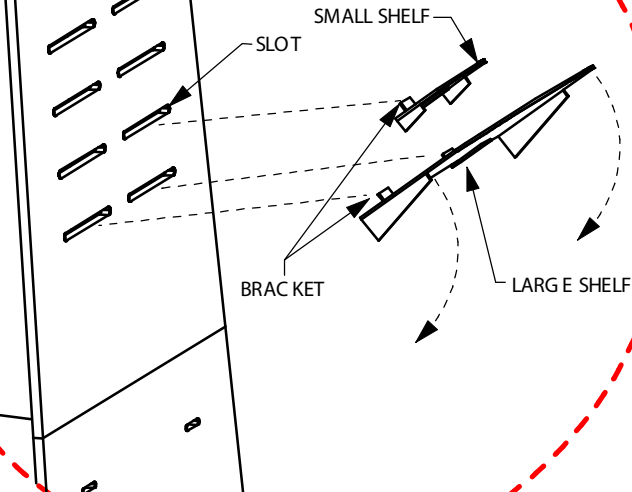
888.336.9617

# OPTIONS



USE BOLTS PROVIDED TO BOLT THRU MONITOR MOUNTING PLATE INTO INSERTS IN UPPER KIOSK

1. HOLD SHELF AT ANGLE AND CLIP BRACKET INTO DESIRED SLOT
2. ROTATE SHELF DOWN



## SHELF INSTALLATION

### STEP 5

1. REMOVE MONITOR MOUNTING PLATE AND SHELVES FROM CASE.
2. BOLT ON MONITOR MOUNTING PLATE WITH BOLTS PROVIDED
3. HOLD SHELVES AT ANGLE AND FIT BRACKET INTO SLOT, ROTATE DOWN